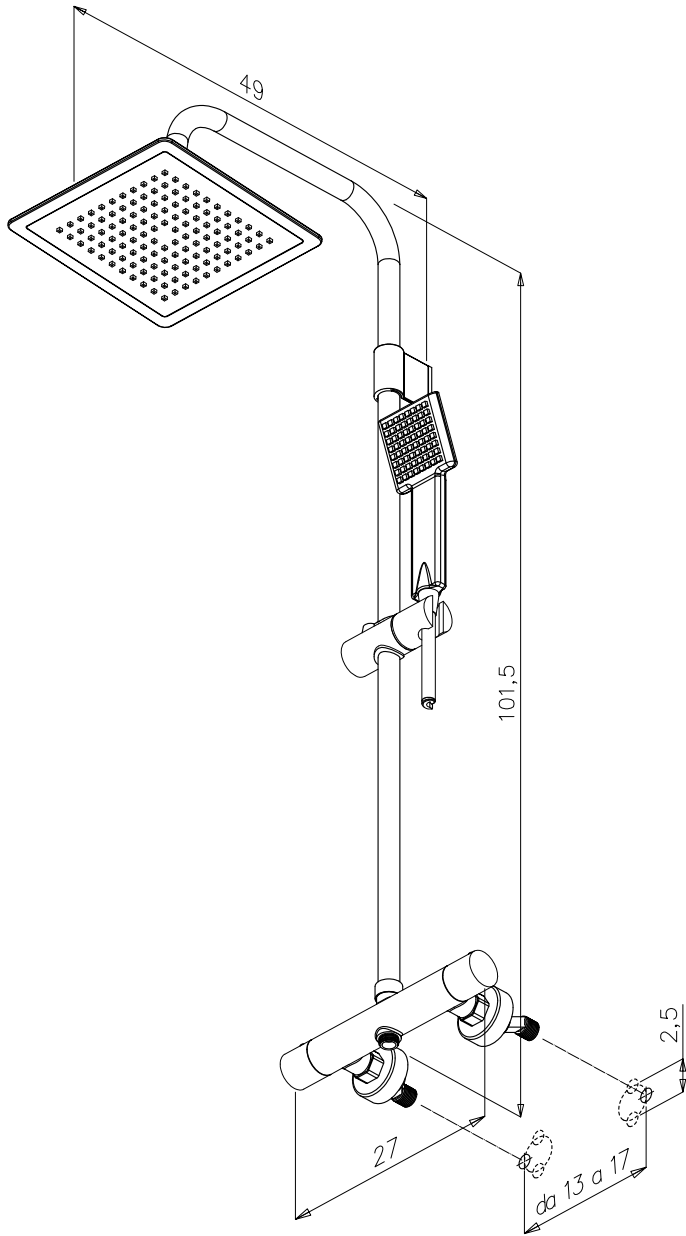


ANGEL LINEAR



P. 296



anticalcare
antiscaling



1 getto
1 jet

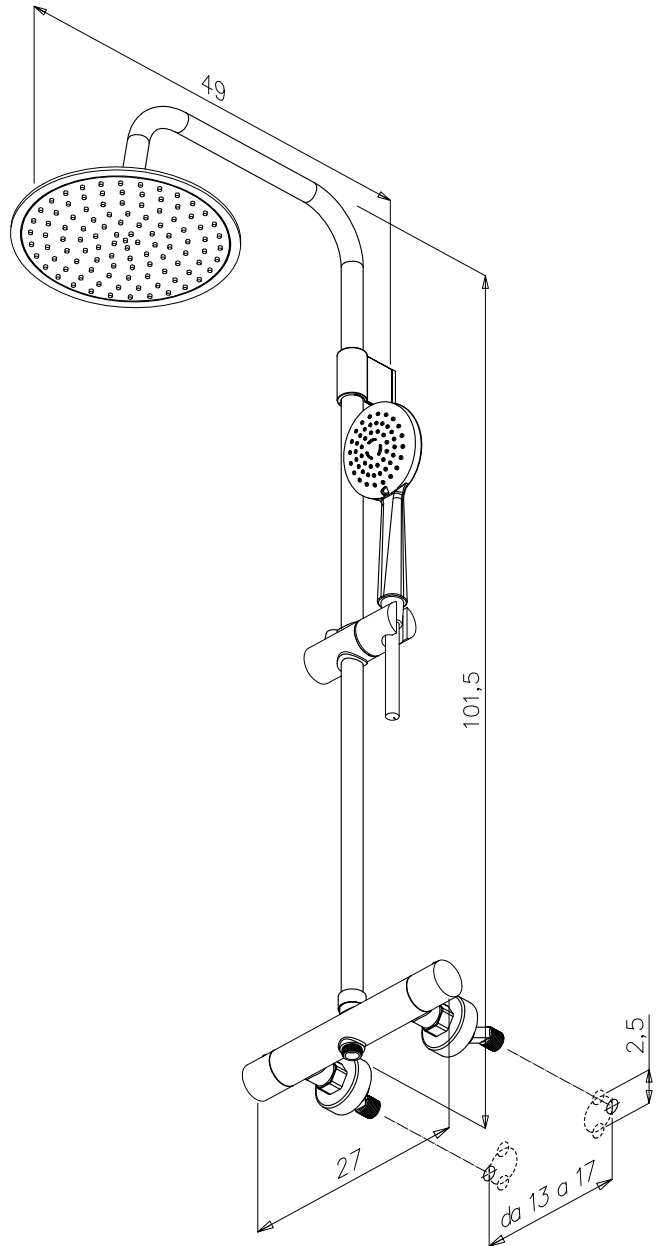


adattabile
adjustable

ANGEL



P. 297



anticalcare
antiscaling



3 getti
3 jets



adattabile
adjustable

ANGEL LINEAR

Materiale . Material . Matériel

. Ottone cromato, acciaio cromato e ABS
. Made of chromed brass, chromed steel and ABS
. Réalisé en laiton chromé, acier chromé et ABS

Finitura . Finishing . Finition

Cromo . Chrome . Chrome

Packaging

Scatola . Box . Boîte

Garanzia . Warranty . Garantie

2 anni . Years . Ans



. MISCELATORE TERMOSTATICO
. THERMOSTATIC MIXER
. MITIGEUR THERMOSTATIQUE



27 - 101,5 - 49cm 8cm 23cm

MetaCode
101H31100

Ean Code
8003062854675

Units
1