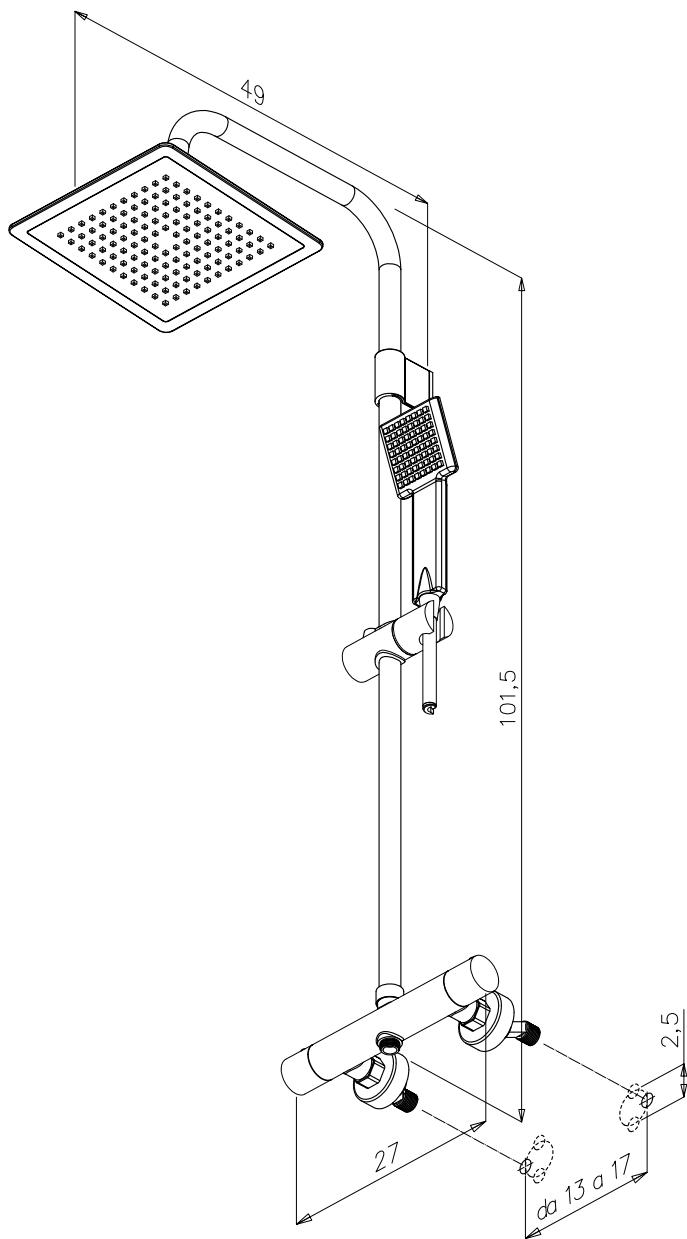


ANGEL LINEAR



P. 296



anticalcare
antiscaling



1 getto
1 jet

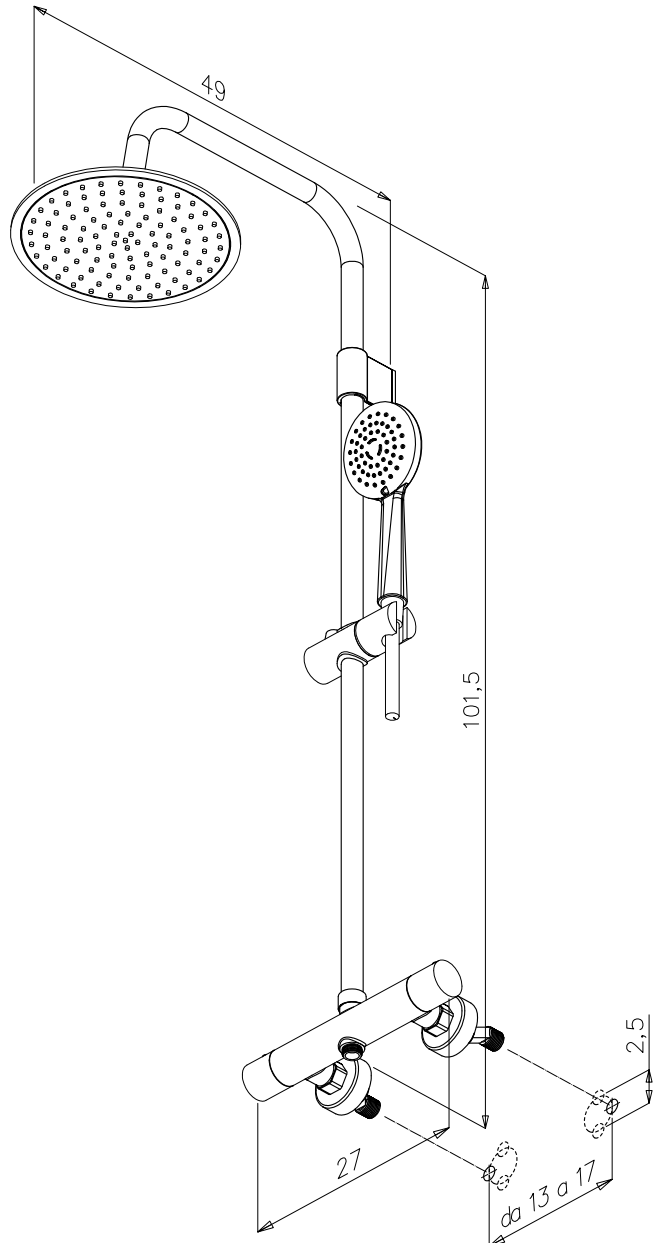


adattabile
adjustable

ANGEL



P. 297



anticalcare
antiscaling



3 getti
3 jets



adattabile
adjustable

ANGEL

Materiale . Material . Matériel

. Ottone cromato, acciaio cromato e ABS
. Made of chromed brass, chromed steel and ABS
. Réalisé en laiton chromé, acier chromé et ABS

Finitura . Finishing . Finition

Cromo . Chrome . Chrome

Packaging

Scatola . Box . Boîte

Garanzia . Warranty . Garantie

2 anni . Years . Ans



P. 362



anticalcare
antiscaling



3 getti
3 jets



adattabile
adjustable



. MISCELATORE TERMOSTATICO
. THERMOSTATIC MIXER
. MITIGEUR THERMOSTATIQUE



⊙
10 cm

⊙
23 cm

└┘
27 - 101,5 - 49 cm

MetaCode
101G01100

Ean Code
8003062120510

Units
1